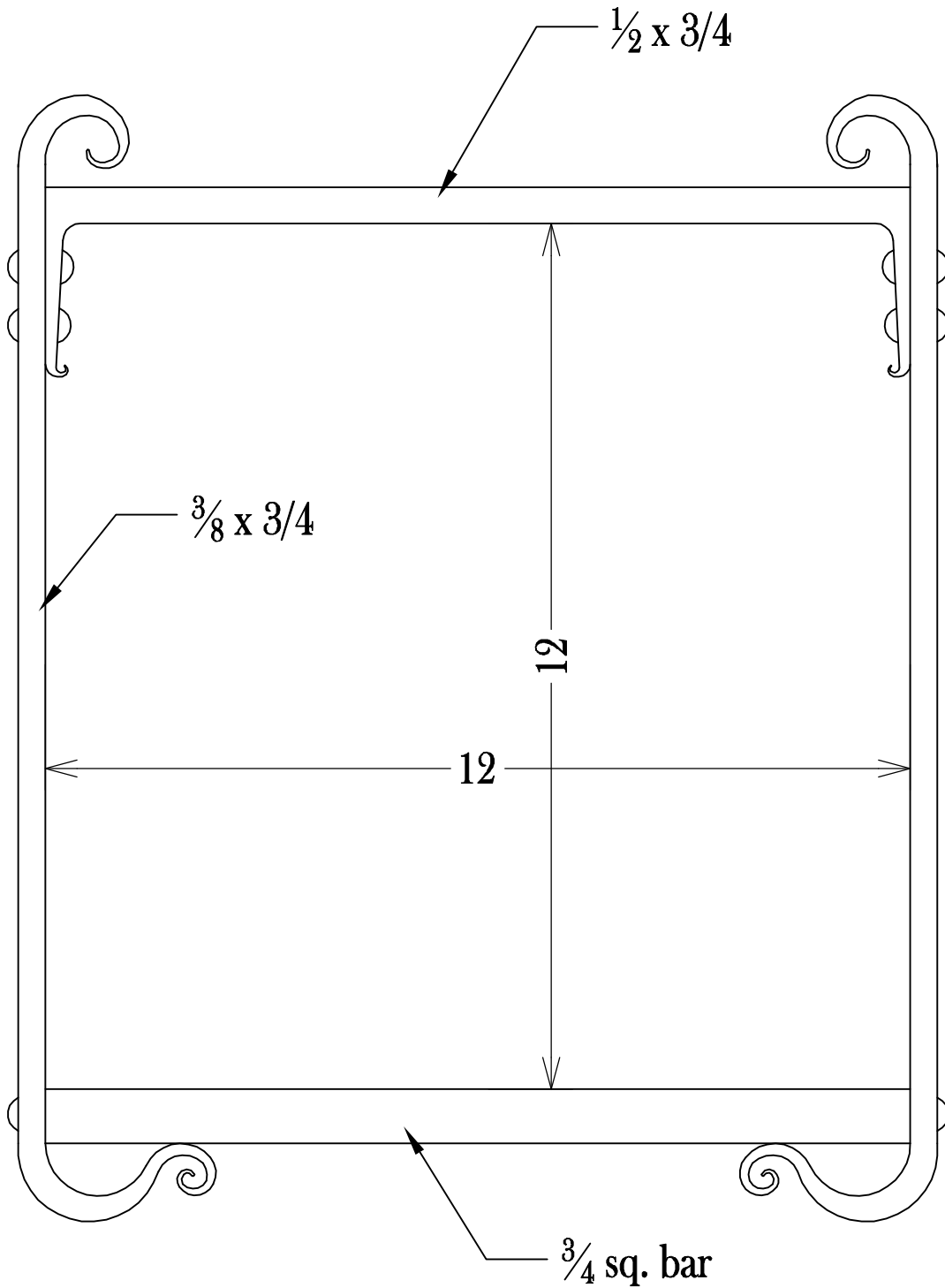


McLellan Blacksmithing
 6961 Horseshoe Bar Road
 Loomis, CA 95650
 (916) 652-5790 Fax (916) 652-5784
 www.McLellanBlacksmithing.com

ABANA Level II Grill

		Grill For Gas Forge		Sheet Number	000
Date	11-14-1997	Revised	5-01-2014		
Scale	None	Drawn by	John McLellan		

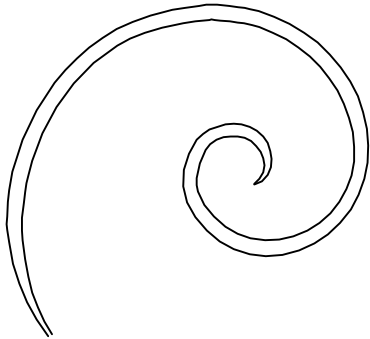


McLellan Blacksmithing
 6961 Horseshoe Bar Road
 Loomis, CA 95650
 (916) 652-5790 Fax (916) 652-5784
www.McLellanBlacksmithing.com

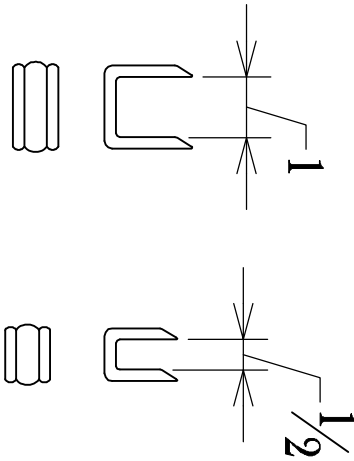
ABANA Level II Grill

Grill Frame Assembly			Sheet Number	000
Date	11-14-1997	Revised	8-06-2014	
Scale	None	Drawn by	John McLellan	

1/4 x 1/2 scrolls
4 ea. required

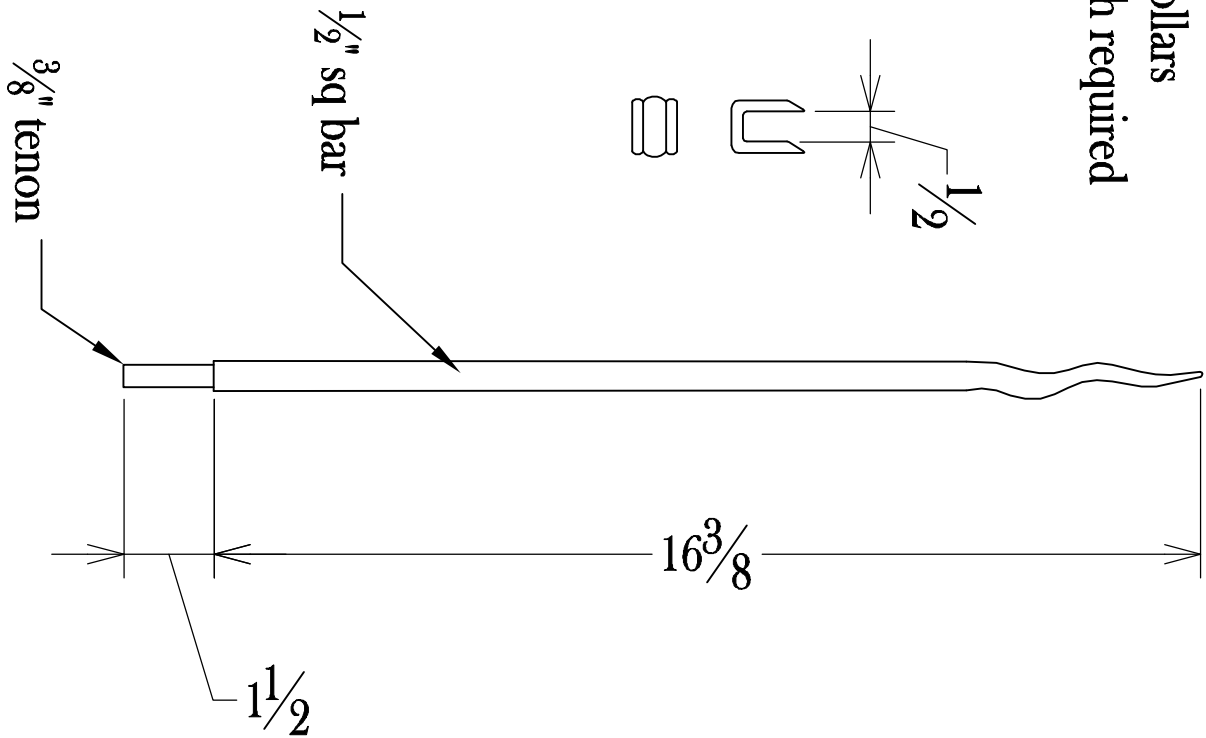


Collars
2 of each required



Collar formula:
Distance around the material + twice the thickness of the collar material.

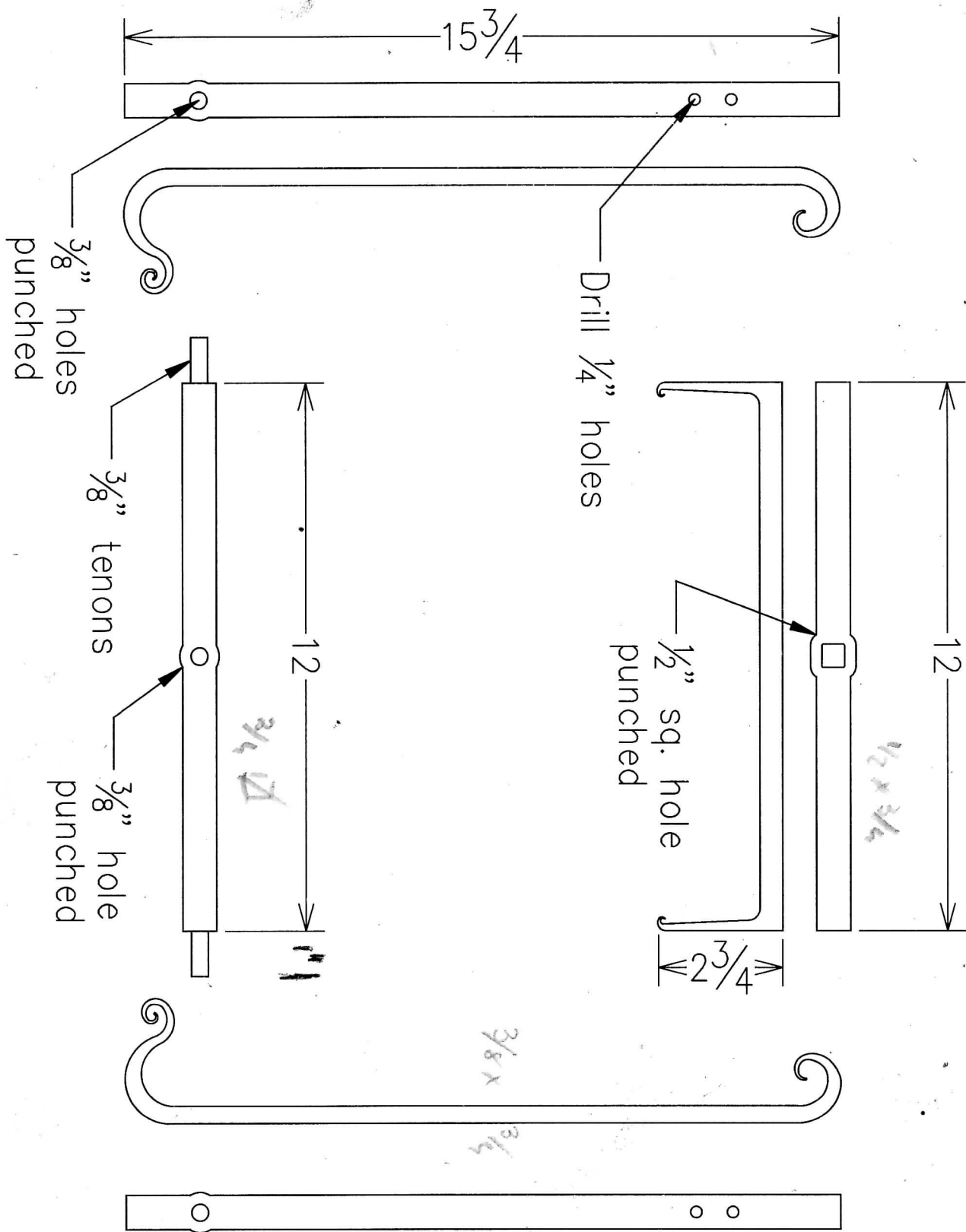
To wrap 1/2 x 1 material with a 3/16" collar:
 $\frac{1}{2} + 1 + \frac{1}{2} + 1 + \frac{3}{16} + \frac{3}{16} = \frac{3^3}{8}$



McLellan Blacksmithing
6961 Horseshoe Bar Road
Loomis, CA 95650
(916) 652-5790 Fax (916) 652-5784
www.McLellanBlacksmithing.com

ABANA Level II Grill

Infill parts		Sheet Number	000
Date	8-06-14	Revised	8-06-14
Scale	None	Drawn by	John McLellan



McLellan

6961 Horseshoe Bar Road
 Loomis, CA 95650

(916) 652-5790 Fax (916) 652-5784

www.McLellanBlacksmithing.com

ABANA Level II Grill

Frame Parts		Sheet	000
Date	8-06-14	Revised	Number 3
Scale	None	Drawn by	John McLellan